

Cell Specification D

SLPB 100216216H



Kokam Co., Ltd.

Cell Specification

● Typical Capacity ¹⁾		
● Nominal Voltage		
● Charge Condition	Max. Current	
	Voltage	
● Discharge Condition	Continuous Current	
	Peak Current	
	Cut-off Voltage	
● Cycle Life [@ 80% DOD] ²⁾		
● Operating Temp.	Charge	
	Discharge	
● Dimension	Thickness (mm)	
	Width (mm)	
	Length (mm)	
● Weight (g)		

1) Typical Capacity : 0.5C, 4.2~2.7V @25°C

2) Voltage range : 4.15V ~ 3.40V

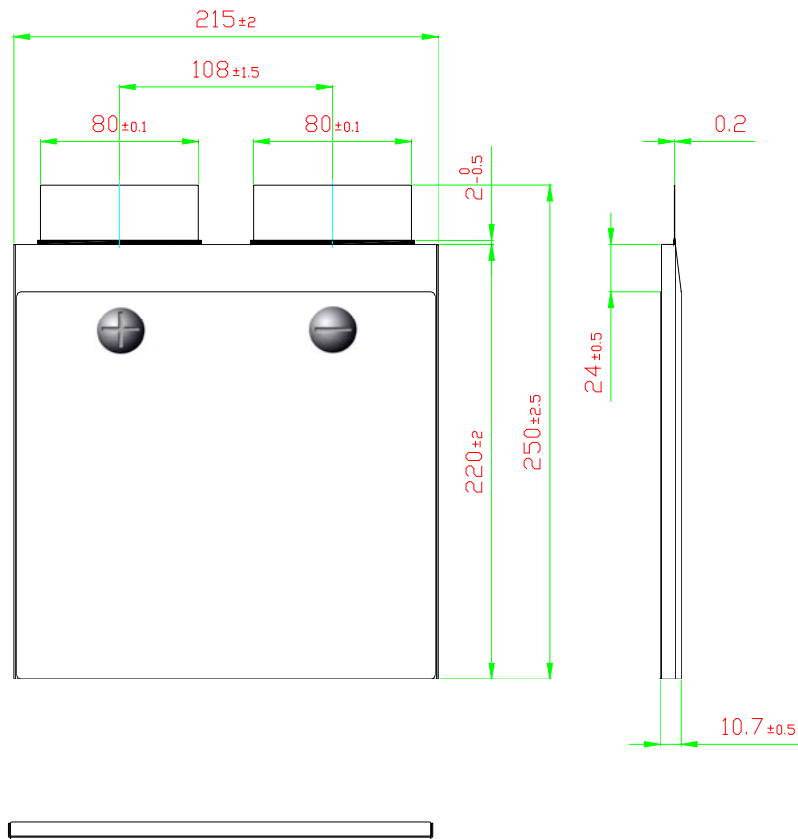
Cell Specification Data

SLPB 100216216H



Kokam Co., Ltd.

Cell Specification



● Typical Capacity ¹⁾		40.0 Ah
● Nominal Voltage		3.7 V
● Charge Condition	Max. Current	120.0 A
	Voltage	4.2V ± 0.03 V
● Discharge Condition	Continuous Current	200.0 A
	Peak Current	400.0 A
	Cut-off Voltage	2.7 V
● Cycle Life [@ 80% DOD] ²⁾		> 3,000 Cycles
● Operating Temp.	Charge	0 ~ 40 °C
	Discharge	-30 ~ 60 °C
● Dimension	Thickness (mm)	10.7 ± 0.5
	Width (mm)	215 ± 2.0
	Length (mm)	220 ± 2.0
● Weight (g)		1,100 ± 40

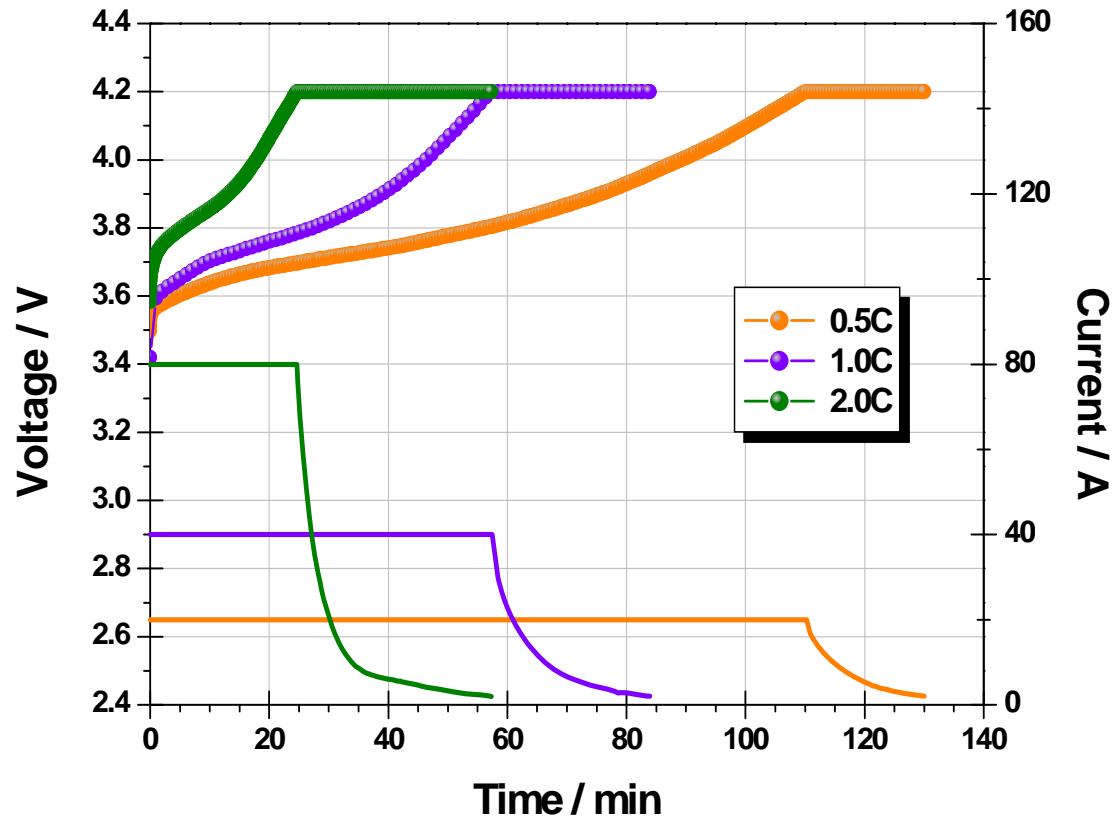
1) Typical Capacity : 0.5C, 4.2~2.7V @25°C

2) Voltage range : 4.15V ~ 3.40V

Charge Characteristics

SLPB 100216216H 1.0C = 40.0A

❖ Charge : CC-CV, 0.5C~ 2.0C, 4.2V, 2.0A Cut-off @ 23°C±3°C

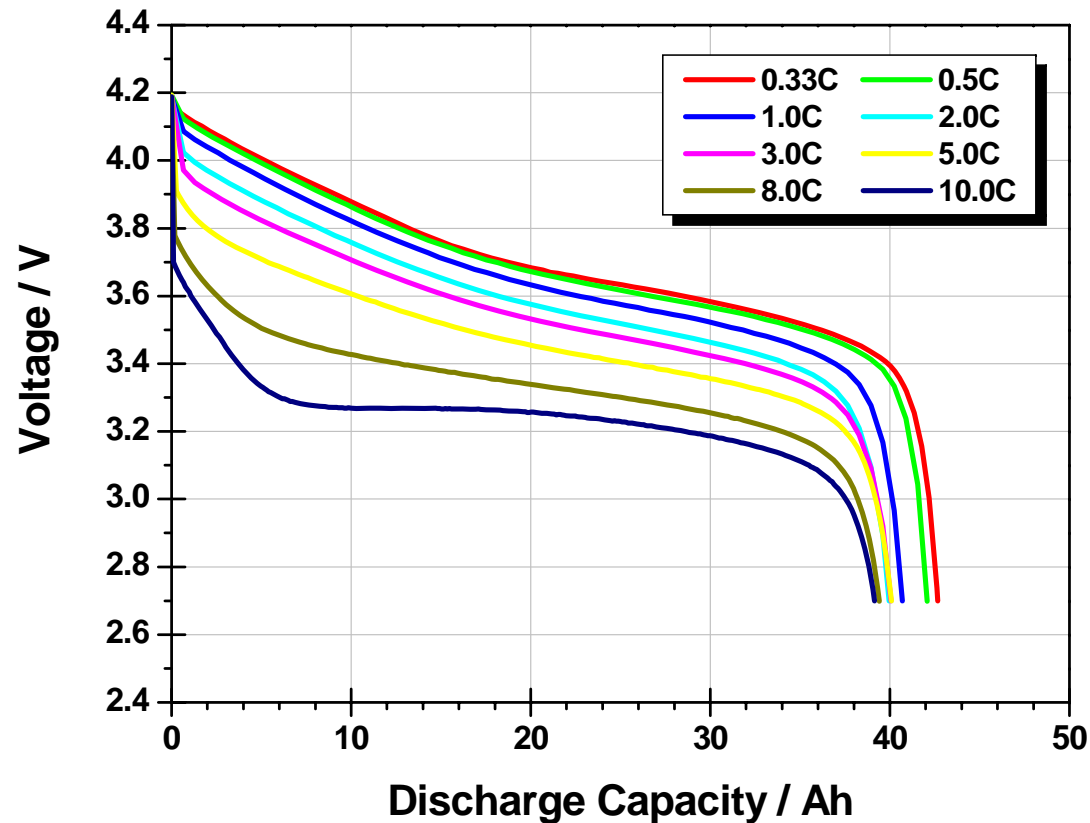


Discharge Characteristics

SLPB 100216216H 1.0C = 40.0A

❖ Charge : CC-CV, 0.5C, 4.2V, 2.0A Cut-off @ 23°C ± 3°C

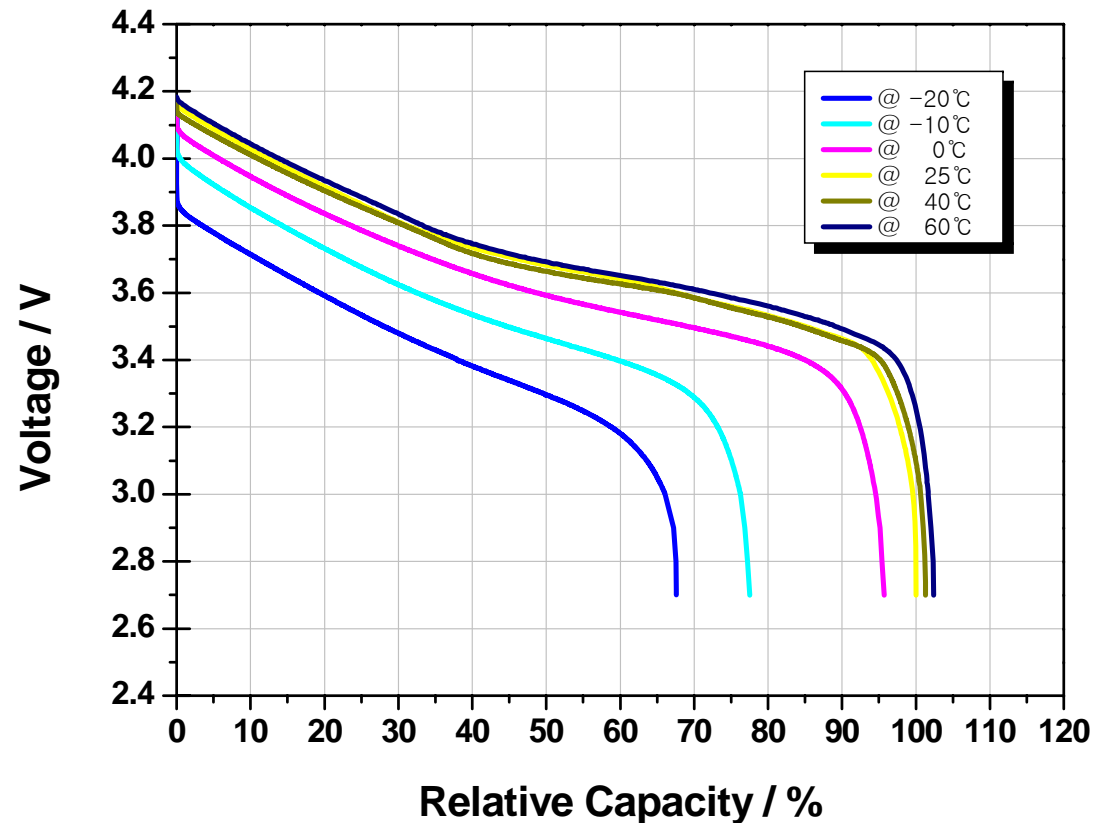
❖ Discharge : CC, 0.5C~10.0C, 2.7V Cut-off @ 23°C ± 3°C



Temperature Characteristics

SLPB 100216216H 1.0C = 40.0A

- ❖ Charge : CC-CV, 0.5C, 4.2V, 2.0A Cut-off @ 23°C ± 3°C
- ❖ Discharge : CC, 1.0C, 2.5V Cut-off @ each temp.
- ❖ Stand for 2hr @ Setting Temperature



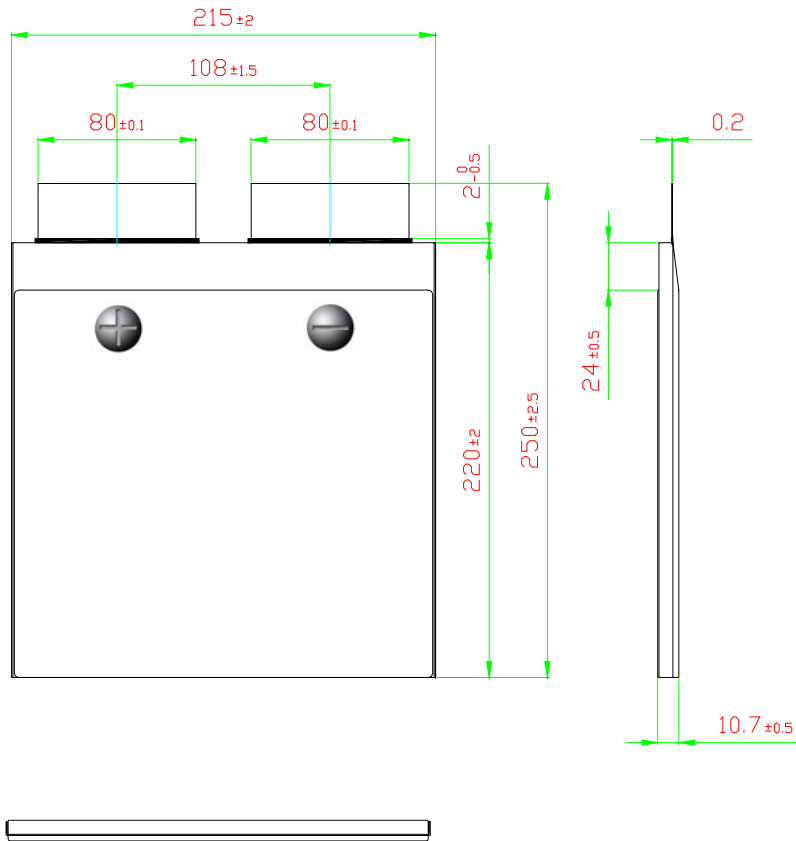
Cell Specification Data

SLPB 100216216H



Kokam Co., Ltd.

Cell Specification



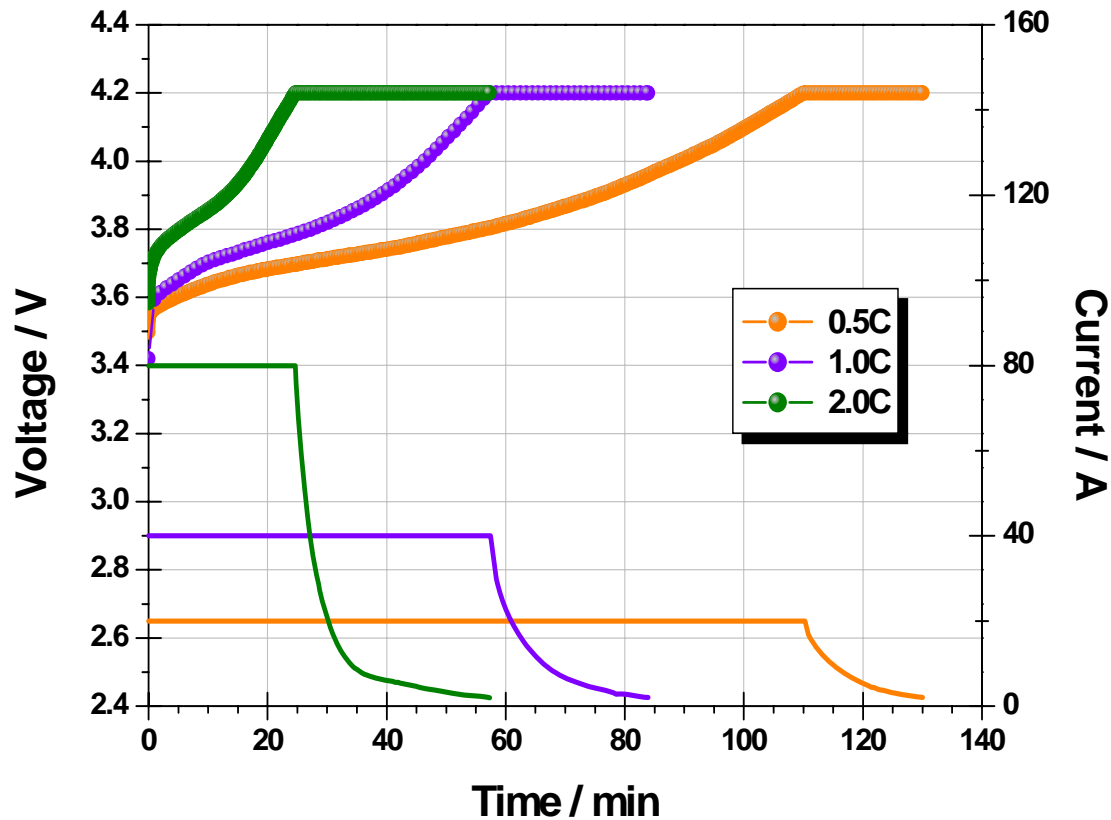
● Typical Capacity ¹⁾		40.0 Ah
● Nominal Voltage		3.7 V
● Charge Condition	Max. Current	80.0 A
	Voltage	$4.2V \pm 0.03 V$
● Discharge Condition	Continuous Current	200.0 A
	Peak Current	400.0 A
	Cut-off Voltage	2.7 V
● Cycle Life [@ 80% DOD] ²⁾		> 800 Cycles
● Operating Temp.	Charge	0 ~ 40 °C
	Discharge	-20 ~ 60 °C
● Dimension	Thickness (mm)	10.7 ± 0.5
	Width (mm)	215 ± 2.0
	Length (mm)	220 ± 2.0
● Weight (g)		$1,100 \pm 40$

1) Typical Capacity : 0.5C, 4.2~2.7V @25°C

2) Voltage range : 4.15V ~ 3.40V

Charge Characteristics

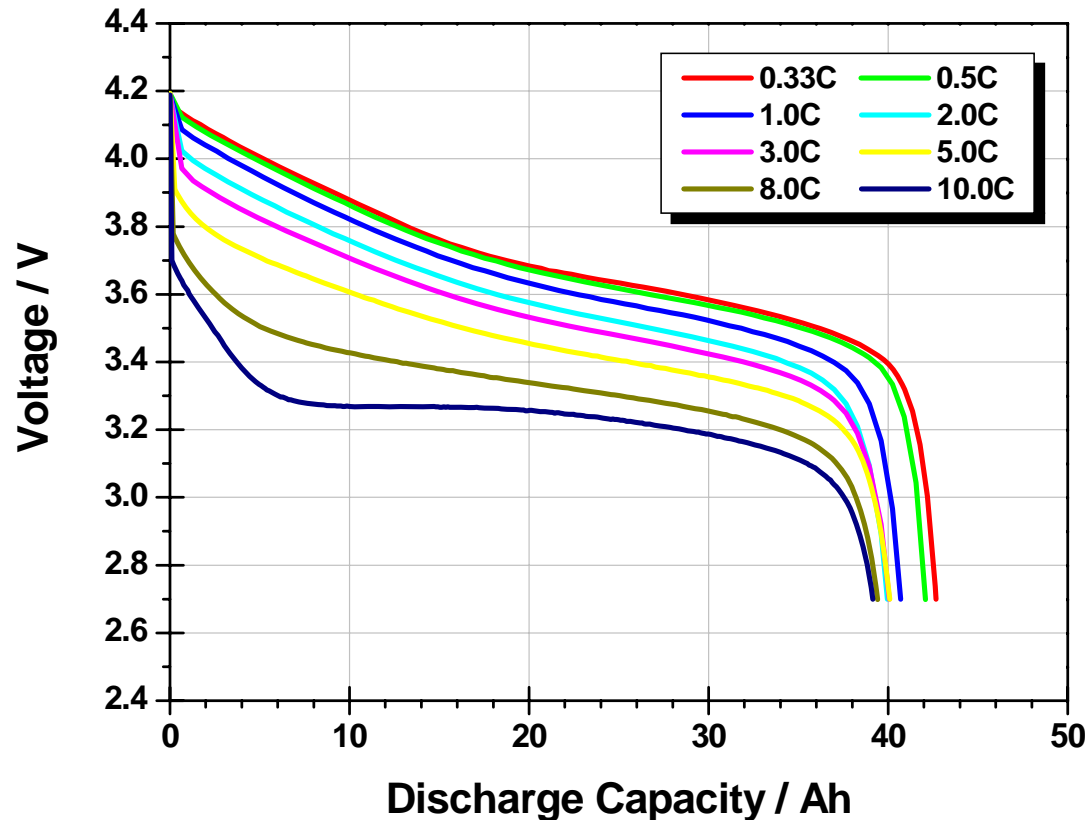
SLPB 100216216H 1.0C = 40.0A
❖ Charge : CC-CV, 0.5C~ 2.0C, 4.2V, 2.0A Cut-off @ 23°C±3°C



Discharge Characteristics

SLPB 100216216H 1.0C = 40.0A

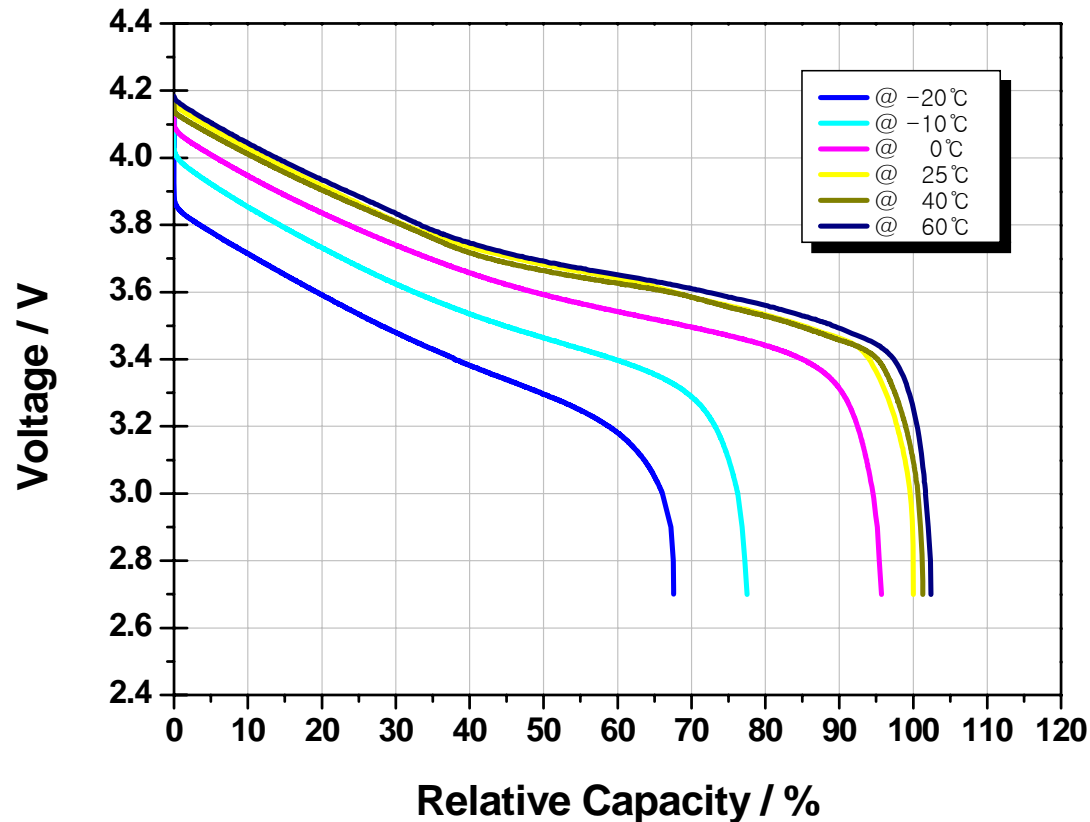
- ❖ Charge : CC-CV, 0.5C, 4.2V, 2.0A Cut-off @ 23°C±3°C
- ❖ Discharge : CC, 0.5C~10.0C, 2.7V Cut-off @ 23°C±3°C



Temperature Characteristics

SLPB 100216216H 1.0C = 40.0A

- ❖ Charge : CC-CV, 0.5C, 4.2V, 2.0A Cut-off @ 23°C±3°C
- ❖ Discharge : CC, 1.0C, 2.5V Cut-off @ each temp.
- ❖ Stand for 2hr @ Setting Temperature



Cycle Characteristics

SLPB 100216216H 1.0C = 40.0A

- ❖ Charge : CC-CV, 1.0C, 4.15V, 2.0A Cut-off @ 23°C±3°C
- ❖ Discharge : CC, 1.0C, 3.40V Cut-off @ 23°C±3°C

