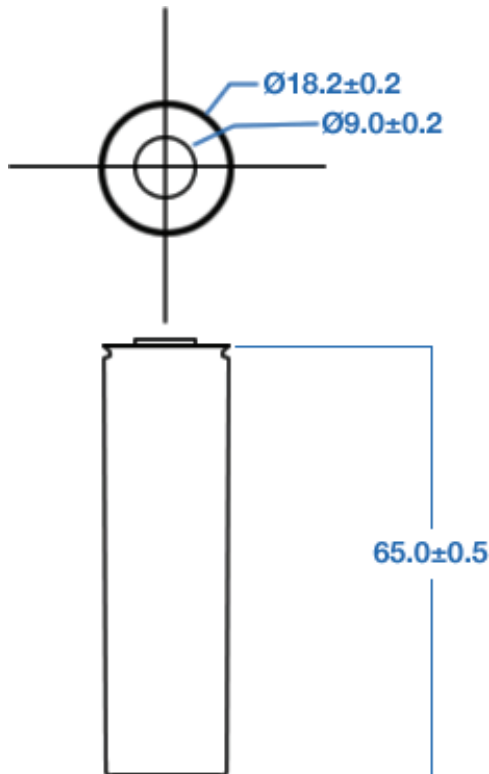


ifr18650e CELLS

Valence Technology's IFR18650e is a high performance lithium ion energy cell designed for maximum energy and safety. The IFR18650e is perfect for high-cycle, float, medium power and large format applications.



Specifications

Charge Voltage	3.65V Standard (3.4V float, 4.2V max)
Nominal Operating Voltage	3.2V
Nominal Rated Capacity (C/5)	1350 mAh
Max Continuous Discharge	2.7A (2C)
Max Pulse Discharge (30 sec)	4.05A (3C)
Discharge Cut-off Voltage	2.5V
Standard Charging Method	Constant C/2 Current to 3.65 V Limit, then Constant 3.65V Voltage with Current Taper to C/20
Charging Time	Standard Charge = 2.5 Hours
Cycle Life	> 2,000 Cycles (100% DOD) to 80% Rated Capacity
Operating Temperature	Charge: 0°C ~ 45°C Discharge: -10°C ~ 50°C
Storage Temperature	-40°C ~ 50°C
Humidity	5-95% Relative Humidity
Cell Weight	40g ± 1g
Cell Dimensions	Length: 65.0mm ± 0.5mm (without tabs) Diameter: 18.2mm ± 0.2mm

Cycling Performance at Various Discharge Rates

Obtained at 23°C

